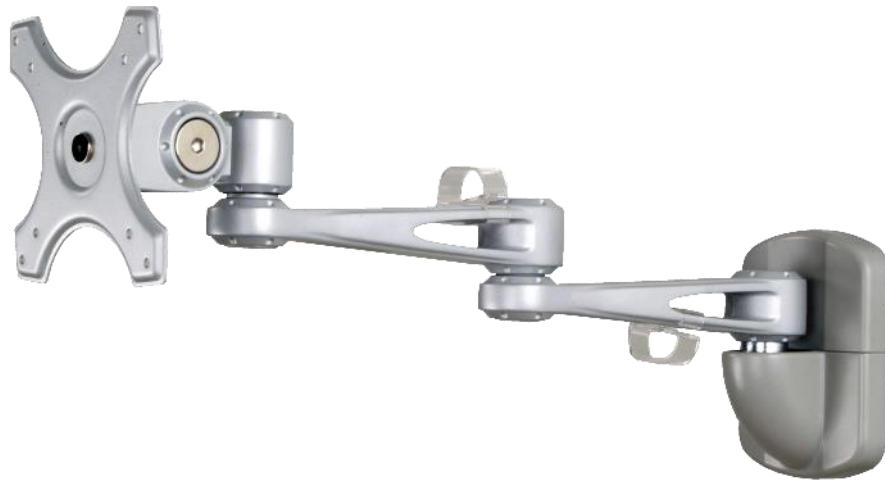


LCD arms



Multi Screen Mounts

194B Dual LCD Arm Specifications

- Weight capacity: 6 kgs each screen up to 22"
- Meets with VESA 75*75 and 100*100mm.
- The product color is black.
- The two arms are easily adjustable for swinging into any position
- With C-Clamp for desktop mounting.



193B Triple LCD Mount Specifications

- Weight capacity: 6 kgs each screen
- Meets with VESA 75*75 or 100*100mm.
- The product color is black
- Designed to support three screens up to 20" from one pole
- With C-Clamp for desktop mounting



LCD Desktop Mounts

192B ECON Arm (C-Clamp)

Specifications

- Weight capacity: Max 10kgs.
- Meets with VESA 75*75 or 100*100mm.
- Desktop C-Clamp mounting up to 9cm thickness.
- The product color is black.
- The height of LCD monitor is adjustable.
- LCD Arm design allows maximum movement of your monitor.



1360B ECON Arm (C-Clamp)

Specifications

- The height of LCD monitor is adjustable
- Mounting meets with VESA 75*75 or 100*100mm.
- Loading capacity: 10kgs
- With C-clamp for desk mount up to 9cm thickness



LCD Desktop Mounts

7220S Deluxe Arm (C-Clamp)

Specifications

- Weight capacity: Max 10kgs.
- Meets with VESA 75*75 or 100*100mm.
- Desktop C-Clamp mounting up to 7cm thickness.
- The product color is silver.
- The height of LCD monitor is adjustable.
- Die-casting aluminium two-step Arm



722CS Deluxe Arm (Grommet)

Specifications

- Weight capacity: 10kgs.
- Meets with VESA 75*75 or 100*100mm.
- With a grommet mounting
- The product color is silver.
- The height of LCD monitor is adjustable.
- LCD Arm design allows maximum completely movement of your monitor.



3360S LCD/Notebook Arm

Specifications

- Extends screen up to 450mm long as close as you need.
- Aluminium platform helps cool the notebook computer.
- With a C-Clamp bracket mount onto the desktop up to 7cm thickness
- Platform has 20 degrees tilts and 4pcs anti-skip pads.
- Die-casting aluminium two-step Arm.
- The height of the LCD monitor is adjustable.
- Meets with VESA 75*75 or 100*100mm.



7260S Dual LCD Arm (C-Clamp)

Specifications

- Weight capacity: 6kgs each screen
- Meets with VESA 75*75 or 100*100mm.
- The product color is silver.
- This LCD mounting arm is designed to support two screens up to 26" from one pole.
- The two die-casting aluminium arms are easy to adjust and swing into position.
- LCD monitor can be tilted, swiveled, and rotated.
- With a C-Clamp mounting



726CS Dual LCD Arm (Grommet)

Specifications

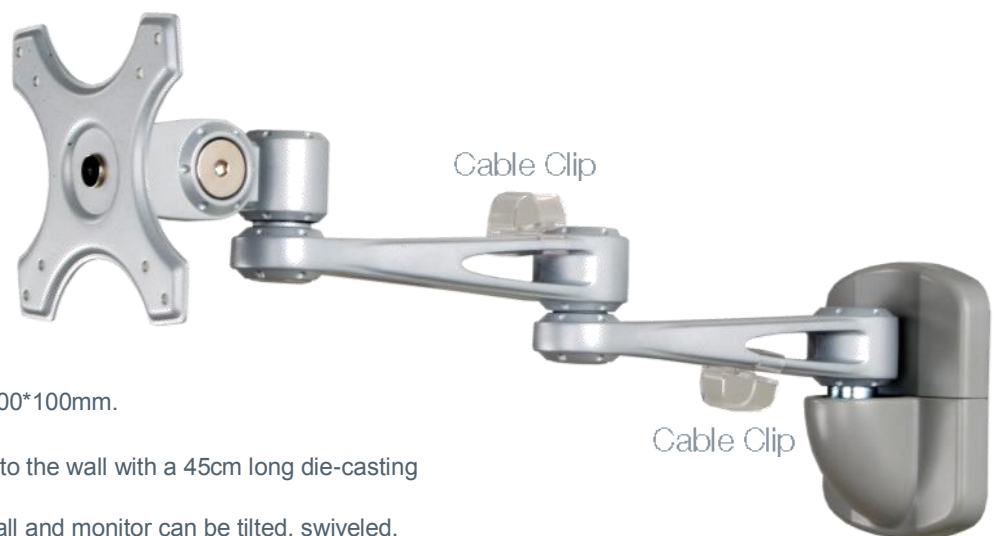
- Weight capacity: 6kgs each screen
- Meets with VESA 75*75 or 100*100mm.
- The product color is silver.
- This LCD mounting arm is designed to support two screens up to 26" from one pole.
- The two die-casting aluminium arms are easy to adjust and swing into position.



2620S

Specifications

- Weight capacity: 15kgs
- Meets with VESA 75*75 or 100*100mm.
- The product color is silver.
- Mounts your LCD monitor onto the wall with a 45cm long die-casting aluminium arm
- Mounts your screen to the wall and monitor can be tilted, swiveled, and rotated.



TV Mounts

178NB

Specifications

- Weight capacity: 20 kgs.
- Meets with VESA 100*100mm or 200*100mm
- The product color is black.
- Mounts your screen to the wall and monitor can be tilted, swiveled, and rotated.



8620A Plasma TV/LCD Cart

Specifications

- Weight capacity: Max 50kgs
- It provides an adjustable tube
- Max height is 180cm from ground.
- Holds LCD TV or plasma TV up to 50kgs, for most TV's from 27" to 60".
- TV can be tilted downward up to 15 degrees.
- With a platform for DVD player.



CPU Holder

6800B Under desk CPU Holder

Specifications

- The product color is silver.
- Mounts CPU under working table to give you more working space.
- Strong steel construction supports the CPU up to 30kgs.
- Height 340mm—490mm and width 160mm—490mm.
- EVA protection pads to protect your CPU metal case.



Indent Products

Minimum quantities apply

6810B Under desk CPU Holder

Specifications

- The product color is black.
- With a sliding track and handle for easily pulling in or out.
- Height 340mm—490mm and width 160mm—220mm adjustment to fit most CPU case.



605 CPU Holder

- ### Specifications
- The product color is light grey.
 - Steel structure with four removable castors.
 - Fully adjustable from 165mm to 275mm.



2000B Six-screen LCD Mount

- ### Specifications
- Weight capacity: 6 kgs each screen
 - The product color is black.
 - Meets with VESA 75*75 and 100*100mm.
 - With C-Clamp for desktop mounting.
 - The LCD mounting arm is designed to support 6 screens up to 20" from one pole.





7 Doncaster Street, Airport Oaks
PO Box 73034 Auckland Airport
Auckland 2150

Phone 09 257 2450

Fax 09 257 2452

Email sales@profiledistributors.co.nz

www.profiledistributors.co.nz